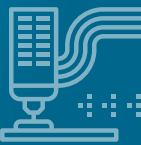
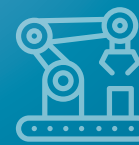
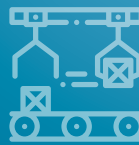




SUPERIOR  
PERFORMANCE  
IN ANY MISSION



**PGP-A Series**  
PARALLEL GRIPPERS  
Ø10 - Ø25

ONE BRAND, COMPLETE SOLUTIONS  
IN PNEUMATIC AUTOMATION

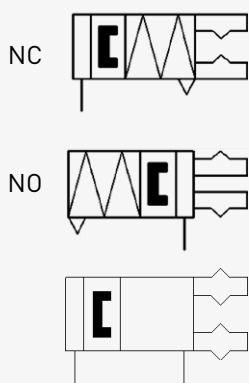




## PGP-A SERIES

Ø10 - Ø25

PARALLEL GRIPPERS



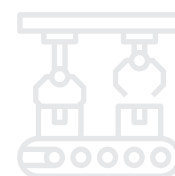
- OPTIMUM PRICE HIGH PERFORMANCE
- SOLID BODY STRUCTURE
- STEEL FINGERS WITH LOW CLEARANCE BEARINGS WORKING ON STEEL GUIDE
- READY MOUNTING HOLES ON THREE DIFFERENT SURFACES
- AIR CONNECTION HOLES ON ONE SURFACE FOR EASY AIR CONNECTION
- BOTH C CHANNEL AND T CHANNEL MAGNETIC SENSOR CAN BE INSTALLED
- SUITABLE FOR IN ALL HOLDING AND HANDLING APPLICATIONS

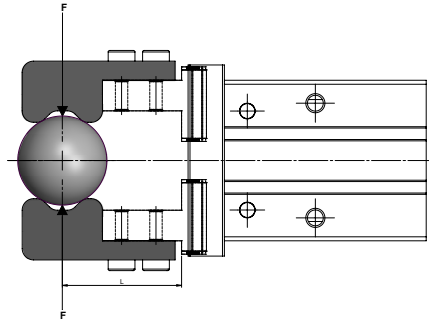
### TECHNICAL DATA

Product Size	10	16	20	25
Operating Temperature (°C)	-20°C .. + 80°C			
Working Fluid	Filtered (40 µm) and lubricated or filtered (40 µm) and non-lubricated air			
Operating Pressure	1,5-7 bar	1-7 bar		
Operating Pressure (NO-NC)	3-7 bar	2,5-7 bar		
Frequency	Maximum 180 cycle/min			
Weight (g)	50	120	235	425

### ORDER SAMPLE

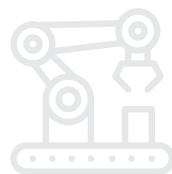
PGP-	A-	20	NO
Product code	A: Magnetic Magnetic is standard	Product Size	Function Null: Standard NC: Single Acting NO: Single Acting

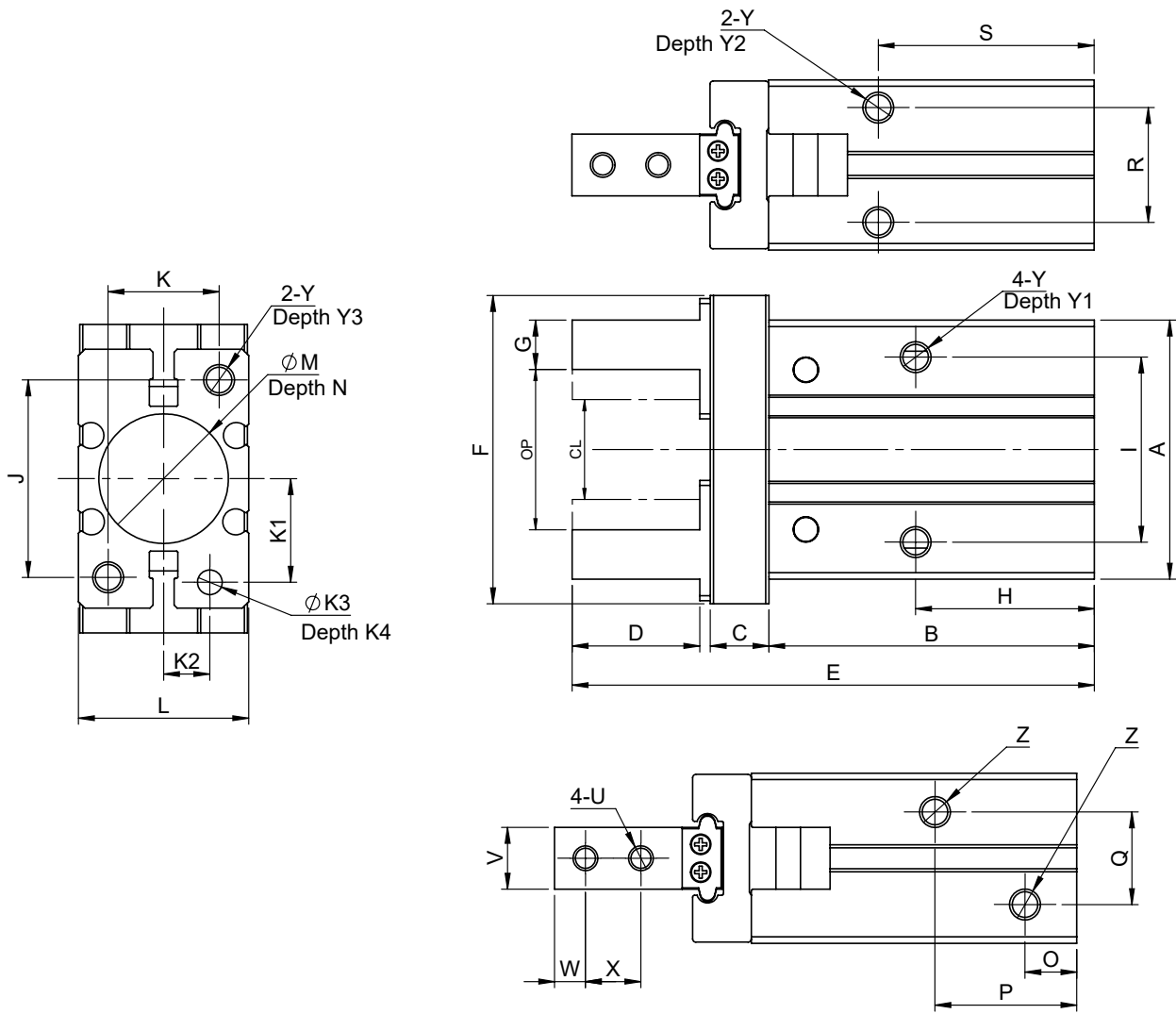




CLAMPING FORCE PER FINGER (N)*				
Function	Product Code	Closure Clamping Force	Open Clamping Force	Stroke Two Sides (mm)
Standard	PGP-10	13	20	4
	PGP-16	41	54	6
	PGP-20	54	82	10
	PGP-25	83	122	14
Single Acting (NO)	PGP-10-NO	8	-	4
	PGP-16-NO	32	-	6
	PGP-20-NO	42	-	10
	PGP-25-NO	66	-	14
Single Acting (NC)	PGP-10-NC	-	15	4
	PGP-16-NC	-	46	6
	PGP-20-NC	-	71	10
	PGP-25-NC	-	104	14

\* Pressure: 6 bar, Gripping Point L: 20 mm





Cylinder Ø mm	A	B	C	D	E	F	G <sub>-0.05</sub> <sup>0</sup>	H	I	J	K	L	M <sub>0</sub> <sup>+0.05</sup>	N	O	P	Q
10	23	37.6	6	12.3	57	29	4	23	16	18	12	16.4	11	2	7	18.8	10
16	30.6	42.5	7.5	15.5	67.3	38	5	24.5	24	22	15	23.6	17	2	7.1	18.5	13
20	42	52.8	9.5	20.7	84.7	50	8	29	30	32	18	27.6	21	3	8.4	23	15
25	52	63.6	11	25.5	102.7	63	10	30	36	40	22	33.6	26	3.5	9.5	23.5	19.5

Cylinder Ø mm	K1	K2	K3 <sub>0</sub> <sup>+0.05</sup>	K4	R	S	U	W	V <sub>-0.05</sub> <sup>0</sup>	X	Y	Y1	Y2	Y3	Z	OP <sub>0</sub> <sup>+2</sup>	CL <sub>-0.7</sub> <sup>0</sup>
10	7.6	5.2	2	3	11.4	27	M2.5x0.45	3	5	5.7	M3x0.5	6	6	6	M3x0.5	14.8	11.4
16	11	6.5	3	3	16	30	M3x0.5	4	8	7	M4x0.7	9.5	5.5	8	M5x0.8	20.8	14.8
20	16.8	7.5	4	4	18.6	35	M4x0.7	5	10	9	M5x0.8	11.5	8	10	M5x0.8	26	16.2
25	21.8	10	4	4	22	36.5	M5x0.8	6	12	12	M6x1.0	14.5	10	12	M5x0.8	33.5	19.2



г. Казань, ул. А. Кутуя, д. 86Д    тел: +7 800 500 48 89  
[www.pemaks.ru](http://www.pemaks.ru)    [order@pemaks.ru](mailto:order@pemaks.ru)